

Your source for specialty roll and wheel manufacturing:

- Small or large quantity opportunities. No minimum.
- Custom parts, made to order.
- Reverse Engineering of OEM parts, including metric/European style.

Made from:

- Stainless Steel
- Aluminum
- Mild Steel
- Urethane
- Plastic

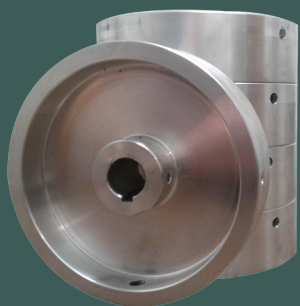
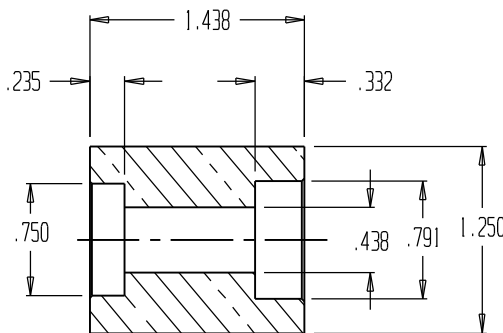
Coated with:

- Rubber
- Urethane
- Powder
- Chrome plated
- Balanced



- ✓ **Made to order**
- ✓ **Full machine shop capabilities**
- ✓ **Sizes ranging up to 48" DIA and 160" length**

CONTACT US TODAY



VULCANIZING CASTING GROOVING REGRINDING REFURBISHING